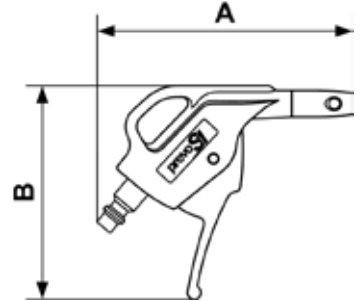


PREVOS1 BLOW GUNS KITS 1/4» INDUSTRIAL PROFILE CLIP



prevoS1 blow gun with OSHA nozzle

Profile : ISO 6150B



Blowing force	Dynamic pressure	Max. operating pressure	ID passage
9 OZF	14.5 psi	174 psi	1/4"

Part number	Flow rate at 87 psi (CFM)	Sound level (dBA)	Length (ft)	ID passage (inch)	Net weight (Kg)	Dim. A (inch)	Dim. B (inch)
IBG 06OSHP	8	87	0.164	1/4"	0,08	4.57	3.82